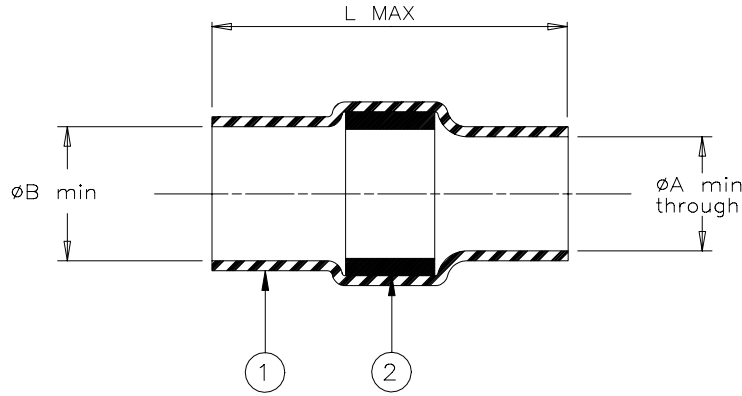


# SPECIFICATION CONTROL DRAWING



Product Revision		Product Dimensions			Cable Dimensions				
Product Name		øA min.	øB min	L max	øD max	øE min	øG max	J±0.5	H±0.5
B-051-65	D	10.8	11.6	31.5	11.6	5.8	10.8	15	14
B-051-66	D	13	14	31.5	14	8.7	13	15	14

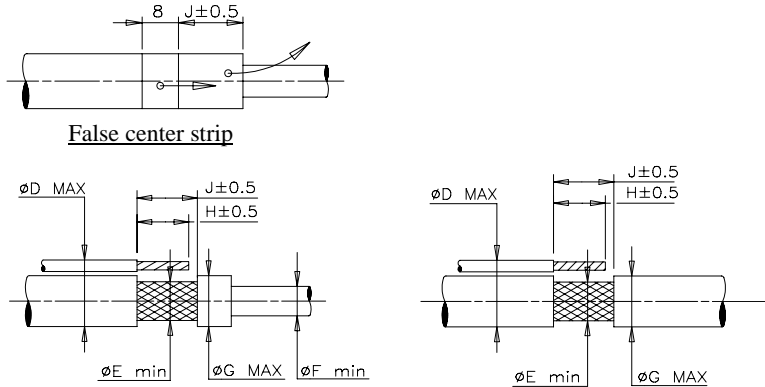
### MATERIALS

- INSULATION SLEEVE: Heat-shrinkable, transparent clear, radiation cross-linked modified polyolefin.
- SOLDER PREFORM WITH FLUX:  
 SOLDER: TYPE Cd18 per ANSI-J-STD-006.  
 FLUX: TYPE ROL1 per ANSI-J-STD-004.

### APPLICATION

- These controlled soldering devices are designed for termination of a tin plated copper shield on a cable having an insulation rated for at least +105°C.
- Temperature range: -55°C to +115°C. For application tooling, consult your local Raychem technical service.

For best results, prepare the cable as shown:



\* A trademark of Raychem Corporation.

<b>Raychem</b>		<b>THERMOFIT DEVICES</b>		Raychem Corporation 300 Constitution Drive Menlo Park, CA 94025 USA		<b>TITLE:</b> <b>SHIELD TERMINATION LOW TEMPERATURE</b>			
UNLESS OTHERWISE SPECIFIED DIMENSIONS ARE IN MILLIMETERS. INCHES DIMENSIONS ARE BETWEEN BRACKETS.						<b>DOCUMENT NO.:</b> B-051-65/66			
<b>TOLERANCES:</b> 0.00 N/A 0.0 N/A 0 N/A		<b>ANGLES:</b> N/A		Raychem reserves the right to amend this drawing at any time. Users should evaluate the suitability of the product for their application.		<b>DCR NUMBER:</b> D980629		<b>REPLACES:</b> B0516X	
<b>ROUGHNESS IN MICRON</b>						<b>DOC ISSUE:</b> 1		<b>SCALE:</b> None	
<b>DRAWN BY:</b> M. FORONDA		<b>DATE:</b> 06/15/98		<b>PROD. REV.:</b> SEE TAB					

If this document is printed it becomes uncontrolled. Check for the latest revision.